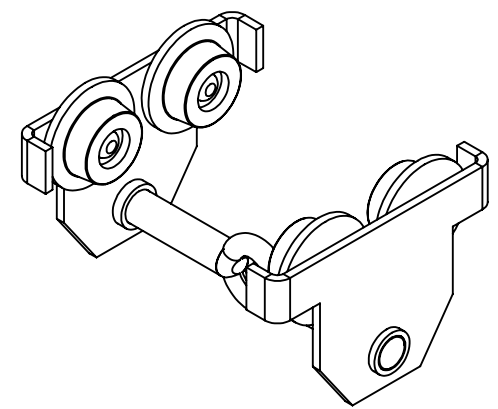
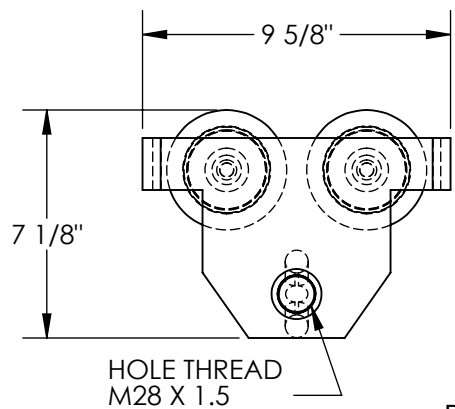
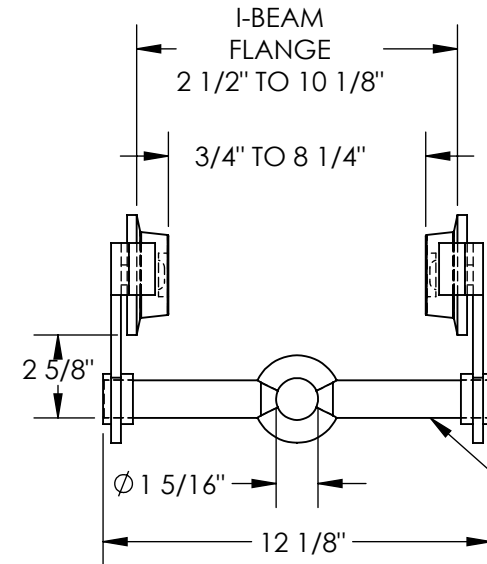
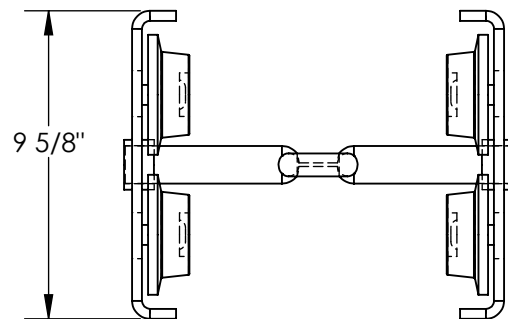


PUSH EYE MANUAL TROLLEY- E-MT-2

APPROX WEIGHT: 21.02 lbs.
DOES NOT INCLUDE WEIGHT OF POWER OR PACKAGING!!!

*** ANY ADDITIONS, DELETIONS, OR OMISSIONS MUST BE CORRECTED ON THIS DRAWING AS THIS DRAWING WILL BE CONSIDERED ALL INCLUSIVE ***

ALL GRAPHICS PROVIDED ARE FOR REFERENCE ONLY. IF CERTAIN DIMENSIONS ARE CRITICAL PLEASE VERIFY THOSE DIMENSIONS WITH YOUR SALESPERSON



STANDARD FEATURES

- MODEL NUMBER IS E-MT-2
- OVERALL WIDTH: 12 1/8"
- OVERALL LENGTH: 9 5/8"
- OVERALL HEIGHT: 7 1/8"
- PUSH LOW PROFILE
- EYE MANUAL TROLLEY
- HEADROOM: 2 5/8"
- FITS FLANGE WIDTH OF 2 1/2" TO 10 1/8"
- UNIFORM CAPACITY IS 2,000 LBS.
- STEEL CONSTRUCTION WITH PAINTED FINISH
- TROLLEY WIDTH ADJUSTABLE BY ROTATING CENTER ROD

NOTE:

CAN BE USED ON S, H, W, & M TYPE I-BEAMS

SPECIAL FEATURES

NONE

SCREW THREAD
M28 X 1.5

HOLE THREAD
M28 X 1.5

DIMENSION TOLERANCE ± 1/4"

APPROVAL	I, THE UNDERSIGNED, AGREE THAT THE PRODUCT AS REPRESENTED SATISFIES DESIGN AND DIMENSION REQUIREMENTS. I ALSO ACKNOWLEDGE MY DUTY TO CONFIRM PRODUCT AND INSTALLATION COMPLIANCE WITH ALL APPLICABLE FEDERAL, STATE AND LOCAL REGULATIONS AND STANDARDS.	
	ANY MODIFIED UNITS ARE NON-RETURNABLE	
	[] As drawn [] As marked	
	Signed: _____ Date: _____	
Printed Name: _____		
LEAD TIME WILL START UPON RECEIPT OF SIGNED APPROVAL DRAWING		

FOR INTERNAL USE ONLY PROJECT SIGN OFF	
SALES	
ENG.	
FAB.	
POWER	

DISTRIBUTOR'S NAME:		P.O.#
VESTIL MANUFACTURING		X
DRAWN BY: CA	DATE: 05/02/2012	W.O.#
REFERENCE: X	SCALE: 1:6	X
QUOTED LEAD TIME: X	QUOTE #	FILE NAME:
	X	30-007-230